

# TWIX-M

Twix-M is a two legs based modification of tripod access control system. Extra rigidity and additional space for ID solutions integration are the main characteristics which make this type different from one leg turnstile entry systems.



*THE MOST ELEGANT TRIPOD WITH 2 FIRM LEGS TO STAND ON*



## Key features:

- Integration with any type of access control and ID systems;
- Additional space for advertisement with LED backlight;
- Ergonomical design with stylish lines;
- Servo-driven tripod turnstile with anti-panic system /drop-arm function;
- Anti-panic function with automatic reset;
- Supply of backup battery power connection;
- Turnstile is supplied ready for installation;
- Successful combination of affordable price and high quality;
- Low power consumption;
- Whisper quiet, low noise operation;
- Can be mounted on a ramped base mobile platform (TiSO Frame-M);
- Wide range of accessories;
- 4 LED indicators;
- Place for RFID readers under the top glass;
- Wired remote control is in a standard kit.

\*option

**Technical Specifications:**

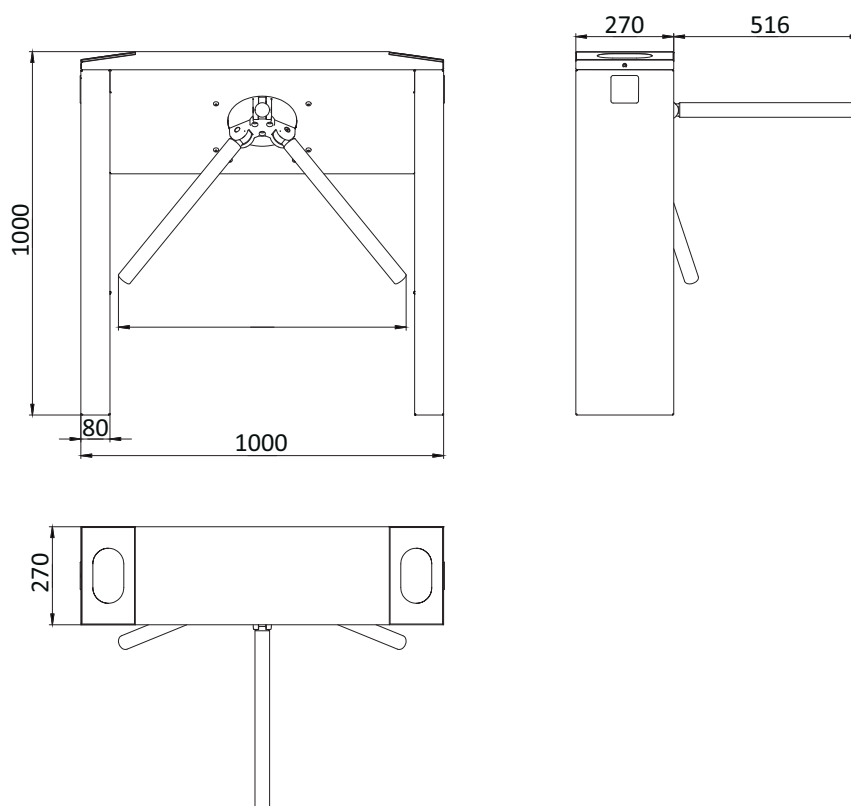
Model	Twix-M
Width, mm	785
Length, mm	1000
Height, mm	1000
Passage width, mm	600
Mechanism	Servo-driven (Triservo-M)
Blocking system	Two electromagnetic stoppers
Emergency mode (fire-alarm)	Fail-safe (lowering the leash)
Drop arm function	Drop arm function can be activated when power is on Drop arm function activates automatically when power goes off
MCBF, cycles	5 000 000
MTTR, min	< 25

**Electrical Specifications:**

Maximum power consumption, W	55
Voltage	From the AC (100-240)V, 50/60Hz; from a DC source 12 V

**Finishing:**

Standard housing	Brushed SS AISI 304
Available housing	Brushed SS AISI 316; Polished SS AISI 304; Polished SS AISI 316; Powder coated RAL



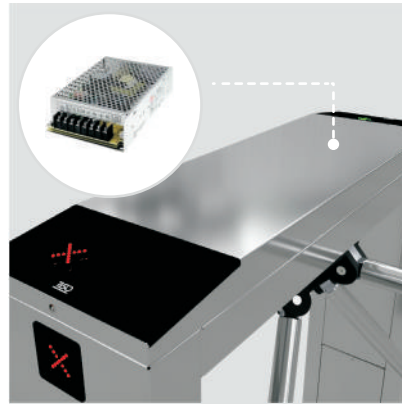
*Specifications are subject to change without prior notice.*

# STANDARD FEATURES



## DROP ARM/ ANTI-PANIC FUNCTION

In case of an emergency situation, the turnstile arm lowers automatically (with automatic reset). This function is basic and included as standard. In this way, people can leave the premises quickly and safely.



## POWER SUPPLY UNIT

Operates in a wide voltage range: 88 - 264 VAC (47 - 63 Hz). A reliable power supply unit is included to the standard set of the turnstile and guarantees reliable and maintenance-free operation of the turnstile in any country worldwide. Power supply unit without UPS function.



## UPS FUNCTION

A complex UPS system that automatically switches power to work from the back-up battery. This allows you to use all the functions of the speed gate in case of power fail.



## SIDE AND TOP LANE LIGHT INDICATORS

Bright and attention-grabbing RFIDLight® (LED light of card reader area) and DotLight® (LED lighting display showing access status).



## CONTROL PANEL

The wired control panel goes in a standard set. Allows to implement a single passage, a free passage, as well as blocks an access and activates the anti-panic function.



## PLACE FOR RFID INSTALLATION

Place for RFID installation is provided in the standard configuration of the tripod turnstile.

# OPTIONAL FEATURES



## RFID READERS T-PROX MINI

Reader operates with 125 kHz cards, Mifare, Mifare Plus and mobile credentials U-Prox ID over NFC and over 2.4 GHz radio.



## INTEGRATION OF CUSTOMIZED ACS

Any access control systems up on request (e.g. RFID device, coin acceptor push button, fingerprint, face recognition, barcode and QRcode reader).



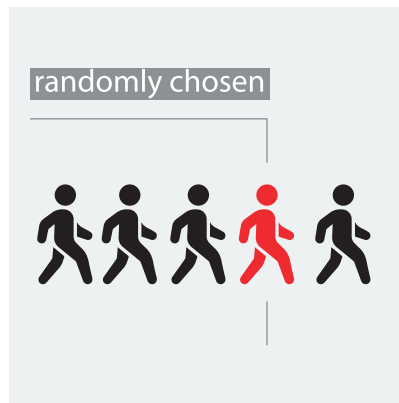
## CARD COLLECTOR INTEGRATION

Possible to integrate the automatic card collector into the turnstile housing.



## EXIT BUTTON

A convenient option that allows you to organize an exit by using a touch free button.



## RANDOMIZER

This mechanism automatically randomly selects a person for verification, without the influence of the human factor.



## COUNTER OF PASSAGES

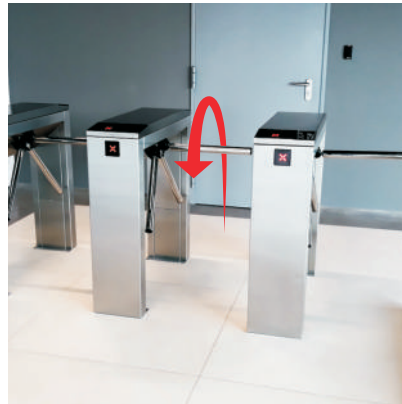
Automatic counting of the number of passes.

# OPTIONAL FEATURES



## TWIC WIRELESS CONTROL PANEL

TiSO TWIC were developed for the remote control of multiple lines of turnstiles. The space saving 10" touch screen display can be located at a reception desk or within security control areas.



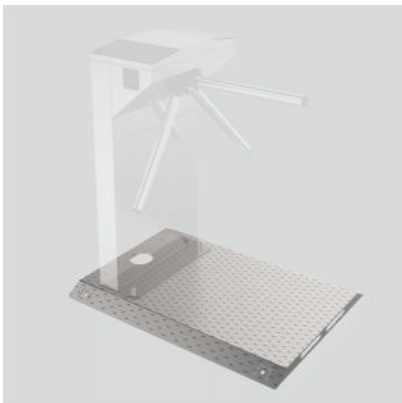
## JUMPING OVER THE ARM + PASSAGE SIMULATION

Sensors detect jumping over the turnstile and simulation of passage. This allows you to prevent unauthorized entry to the premises.



## IP 54 - OUTDOOR INSTALLATION

The high level of IP 54 guarantee smoothly operation outdoor: under a temperature range changes, the impact of moisture and dust, etc.



## MOBILE PLATFORM

Ensures quick temporary turnstile installation. As well as can be installed in areas where it is impossible to drill the floor.



## CRAWLING UNDER THE ARM ALARM

Sensors detect crawling under the turnstile arm and activate an audio alarm to prevent unauthorized access to the area.



## JUMPING OVER TOP LEAD ALARM

Weight sensors detect over 10 kg pressure on the top lid and activate alarm.