

# GATE-SPR

Mechanical Gate-SPR is effective entrance solution for areas where the passage width is not indicated. Telescopic leaf can be up to 1000 mm wide. Gate-SPR can be opened clockwise/ counterclock-wise. The gate can be locked with a key.



*UNIQUE TELESCOPIC ADJUSTABLE LEAF*

*ALLOWS TO FIT THE GATE TO ANY PASSAGE*



## Key features:

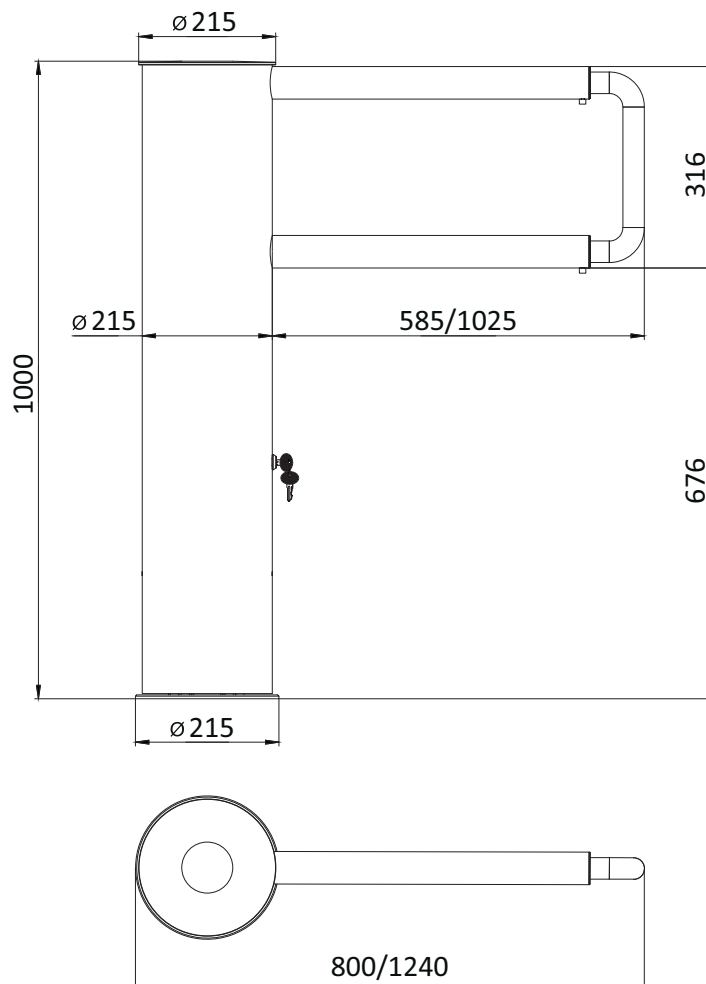
- Solution for disabled and trolley access;
- Appropriate addition to other TiSO turnstiles (waist-height and full-height);
- Adjustable tube makes GATE-SPR appropriate for installation sites where passage width is unknown in advance;
- Can be integrated with any type of access control systems;
- Perfect Fusion of Affordability and High Quality;
- Compatible with Ramped Base Mobile Platform (TiSO Frame-M);
- Steadfast housing suitable for high traffic areas.

## Technical Specifications:

Model	Gate-SPR 700	Gate-SPR 1050
Width, mm	865	1215
Length, mm	225	
Height, mm	1000	
Passage width, mm	700	1050
Mechanism	Mechanical	
Blocking system	Can be locked manually by key	
Operation mode	CW (100°) or CCW (100°)	
Emergency mode	Can be unlocked manually by key	
MTTR, min	< 25	

## Finishing

Standard housing	Brushed SS AISI 304
Available housing	Brushed SS AISI 316; Polished SS AISI 304; Polished SS AISI 316; Powder coated RAL



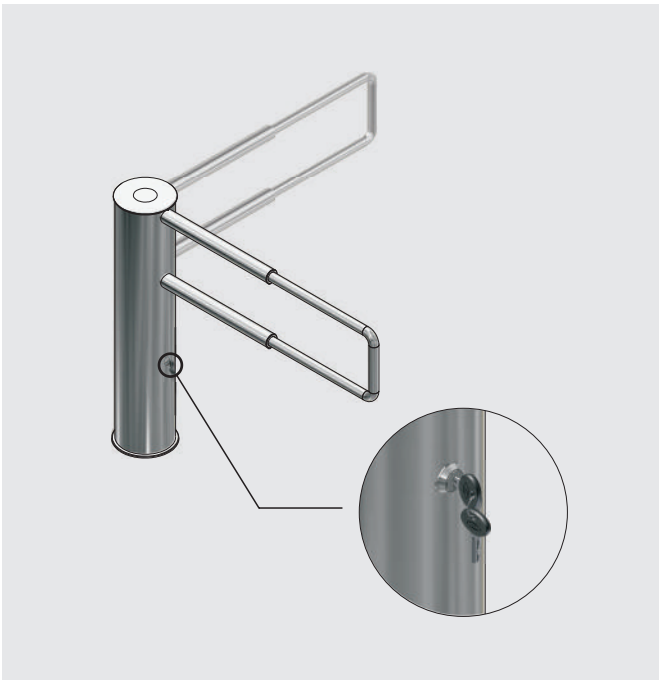
Specifications are subject to change without prior notice.

# STANDARD FEATURES



## ADJUSTABLE PASSAGE WIDTH

An adjustable passage width is a standout feature of this gate, allowing you to modify the gate's width after installation to suit different needs or spaces.



## MECHANICAL KEY LOCKER

Provides secure and easy access control with a traditional key mechanism. Ideal for various applications, it ensures reliable locking and prevents unauthorized entry, with durable construction for long-lasting use.

# OPTIONAL FEATURES



## IP 65

З 2000-го року організація використовує сучасні до найменших дрібниць прораховані технології новаторства, безпрограшних домовленостей та глобального громадянства. Мета товариства проста: це надання вам зберігання даних, бізнесу та відкриттів.



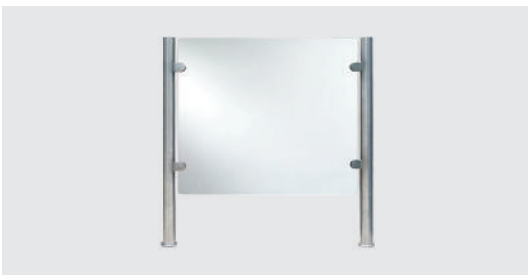
## LED INDICATIONS AT THE TOP OF THE TUBE

This feature provides clear visual feedback at the top of the tube, ensuring quick and easy status recognition for optimal safety and convenience.



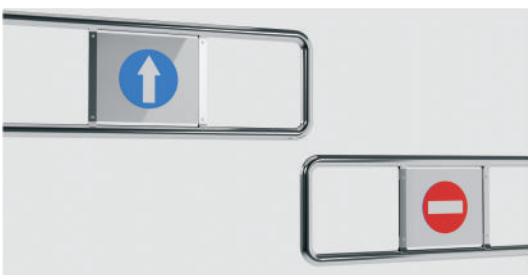
## RAMPED BASE PLATFORM

Ensures quick temporary gate installation. As well as can be installed in areas where it is impossible to drill the floor.



## ENCLOSURE

It enhances safety by restricting access, especially for pets and children, and adds a stylish finish to your property.



## DIRECTIONAL SIGN

The blue arrow indicates entry, while the red prohibition sign on the opposite side restricts passage. By adding this feature, you will make navigation on your premises more intuitive.